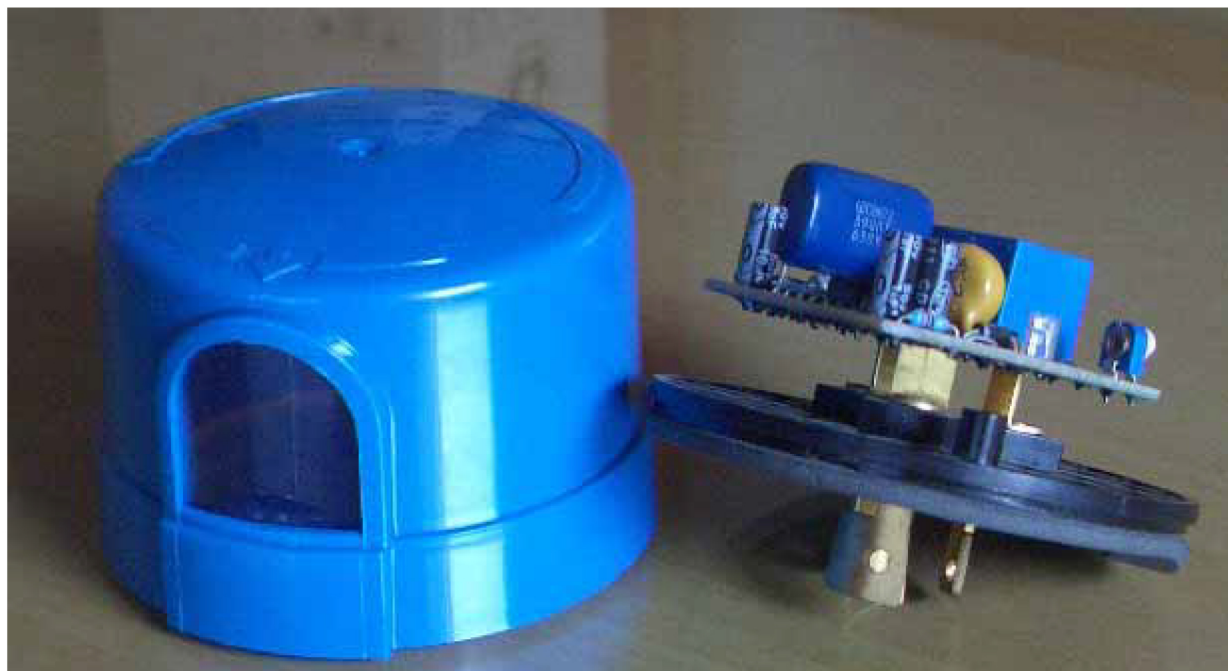
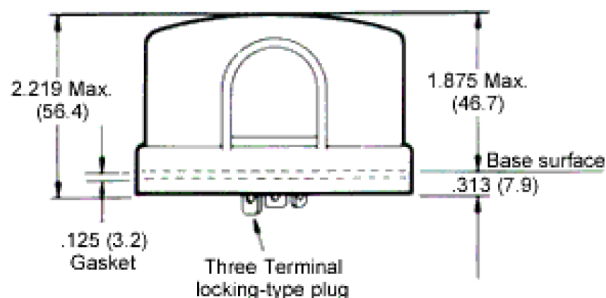


PHOTOCONTROLLER

JL-205 series



- *ANSI C136.10-1996 Twist Lock*
- *Time Delay of 3-20 seconds*
- *Surge Arrester Built-In*
- *Photodiode Sensor*
- *Fail-On Mode*



Product Summary

Shanghai Long-join Intelligent Technology co., LTD.

Number 4292, Hutai Road, Baoshan District Shanghai phone: +86 15900829072 Fax: +86-021-61171878

@2000-2017EC215VH08e
www.LONG-JOIN.com



The photocontroller JL-205 series is applicable to control the street lighting, garden lighting, passage lighting and doorway lighting automatically in accordance with the ambient natural lighting level.

This product is designed with electronic circuits with sensor of photodiode and a surge arrester (MOV) is provided. Its quicker response with time delay of 3-20 seconds offers easy-to-test feature. Especially, model JL-205C provides a wide voltage range for customer applications under almost power supplies.

Further, a preset 3-20 seconds time-delay might avoid mis-operation due to spotlight or lightning during the night time.

The -HP version provides constant reliability

This product provides twist lock terminals meeting the requirements of ANSI C136.10-1996 and the Standard for Plug-In, Locking Type Photocontrols for Use with Area Lighting UL773, 4th Edition, dated Jan.19th, 1995, certified by Intertek.

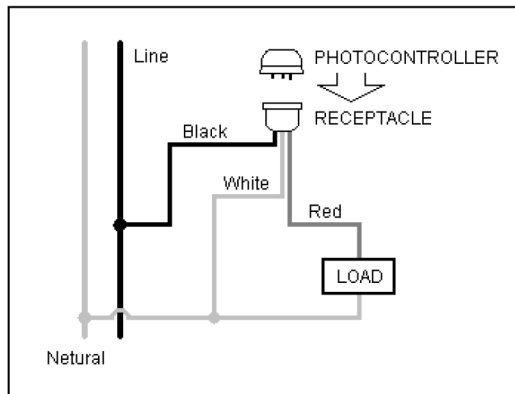
Technical Data

Model	JL-205A	JL-205B	JL-205C
Rated Voltage	110-120VAC	220~240VAC	110-277VAC
Applicable Voltage Range	100-140VAC	200~260VAC	105-305VAC
Rated Frequency	50/60Hz		
Rated Loading	1000W Tungsten, 1800VA Ballast		
Power Consumption	1.5VA [3VA for -HP]		
On/Off Level	6Lx On 50Lx Off		
Ambient Temp.	-40°C ~ +70°C		
Related Humidity	99%		
Overall Size	84 (Dia.) x 66mm		
Weight Approx.	85 grs		

Installation

Disconnect power; wire the receptacle according to the diagram in right hand. Push the photocontroller on and twist it clockwise to lock it into the receptacle.

Install the photocontroller with the Photocell facing the NORTH direction as indicated on the top of the photocontroller. Adjust the receptacle position if necessary.



Ordering Information

***JL-205C - **12 - ***HP**

*: **Model Number;**

: **MOV diameter in mm.

12 = 110Jole / 3500Amp;

15 = 235Jole / 5000Amp;

23 = 460Jole / 7500Amp.

***: **High Power Version.**